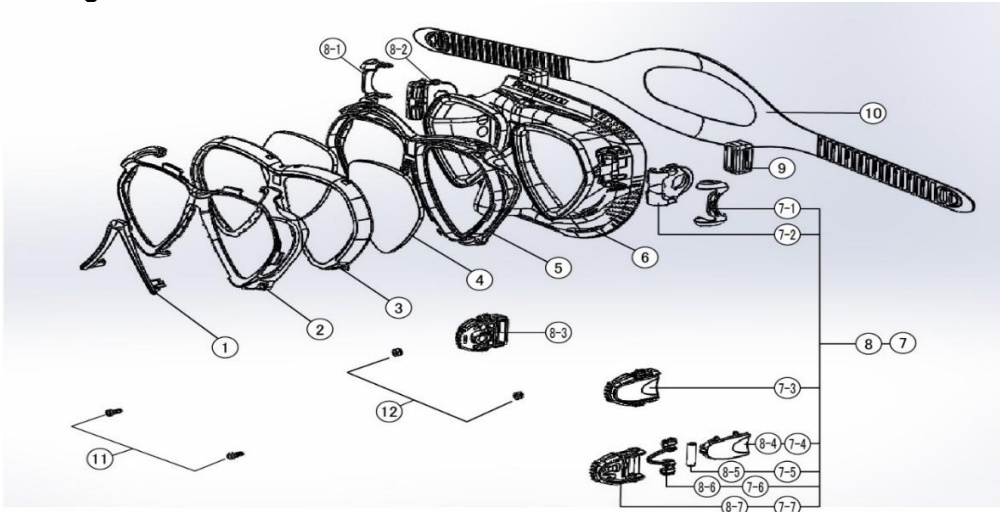


6.0 SCHEMATIC DIAGRAM Masks

6.8 M2000

M2001 / Paragon



Model	Item No.	Description	Part No.
M2001	1	NOSE COVER	M2001-010
M2001	2	COVER FRAME	M2001-020
M2001	3	METAL FRAME	M2001-030
M2001	4	LENS	M2001-040
M2001	5	BASE FRAME	M2001-050
M2001	6	SKIRT	M2001-060
M2001	7	ADJUSTER ASSY / L	MU-321-L
M2001	7-1	BUCKLE COVER	MU-321-010
M2001	7-2	BUCKLE BASE	MU-321-020
M2001	7-3	ADJUSTER BASE	MU-254-030
M2001	7-4	ADJUSTER / L	MU-189-020L
M2001	7-5	ROLLING PIPE	MU-189-040
M2001	7-6	ADJUST BUTTON	MU-189-030
M2001	7-7	HINGE BASE	MU-254-010
M2001	8	ADJUSTER ASSY / R	MU-321R
M2001	8-1	BUCKLE COVER	MU-321-010
M2001	8-2	BUCKLE BASE	MU-321-020
M2001	8-3	ADJUSTER BASE	MU-254-030
M2001	8-4	ADJUSTER / R	MU-189-020R
M2001	8-5	ROLLING PIPE	MU-189-040
M2001	8-6	ADJUST BUTTON	MU-189-030
M2001	8-7	HINGE BASE	MU-254-010
M2001	9	STRAP TIE	M-27-070
M2001	10	STRAP	M-16-020
M2001	11	BOLT	M2001-070
M2001	12	LOCK NUT	M2001-080