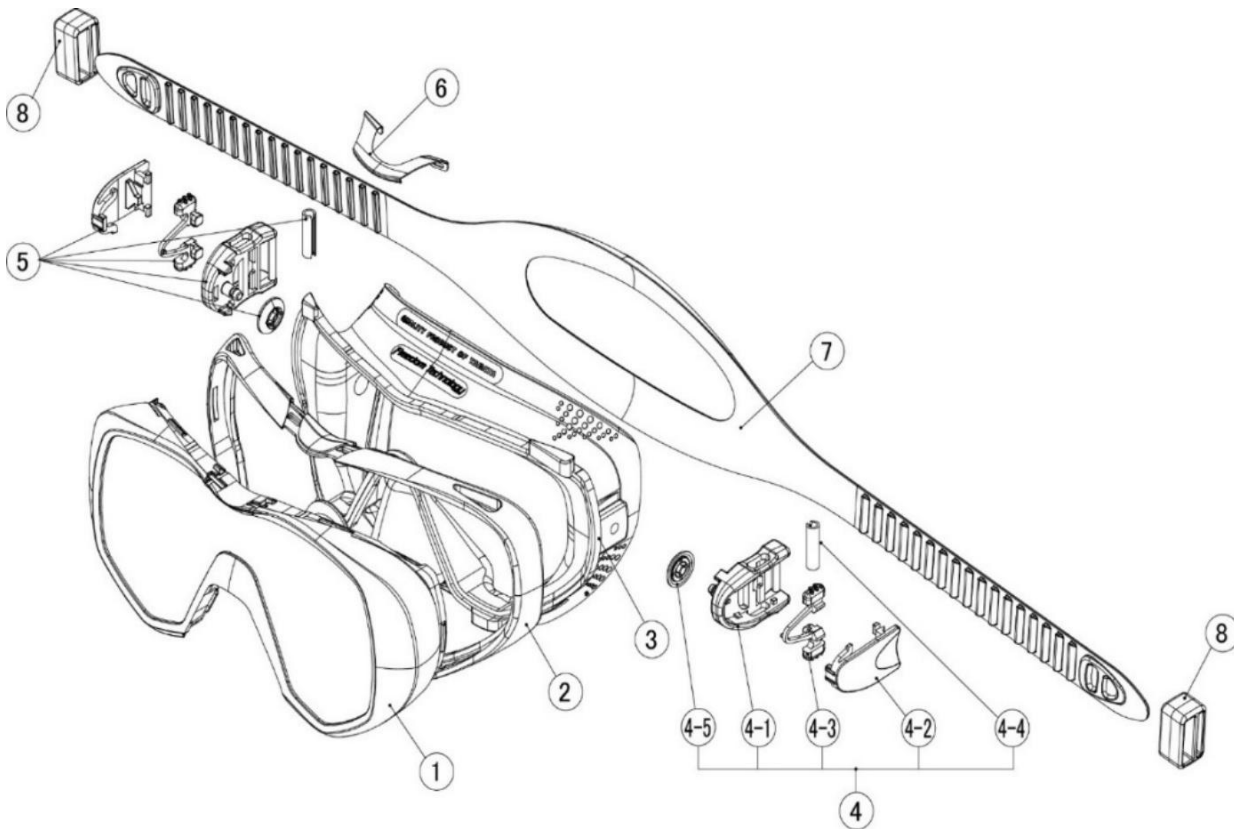


6.0 SCHEMATIC DIAGRAM Masks

6.9 M3000

M3001 / Freedom Tri-Quest



Model	Item No.	Description	Part No.
M3001	1	LENS FRAME	M3001-020
M3001	2	BASE FRAME	M3001-010
M3001	3	SKIRT	M3001-040
M3001	4	ADJUSTER ASSY / L	MU189L
M3001	4-1	ADJUSTER BASE	MU189-010
M3001	4-2	ADJUSTER / L	MU189-020L
M3001	4-3	ADJUST BUTTON	MU189-030
M3001	4-4	ROLLING PIPE	MU189-040
M3001	4-5	WASHER	MU189-050
M3001	5	ADJUSTER ASSY / R	MU189R
M3001	5-1	ADJUSTER BASE	MU189-010
M3001	5-2	ADJUSTER / R	MU189-020R
M3001	5-3	ADJUST BUTTON	MU189-030
M3001	5-4	ROLLING PIPE	MU189-040
M3001	5-5	WASHER	MU189-050
M3001	6	METAL PARTS	M3001-060
M3001	7	STRAP	M16-020
M3001	8	STRAP TIE	M27-070