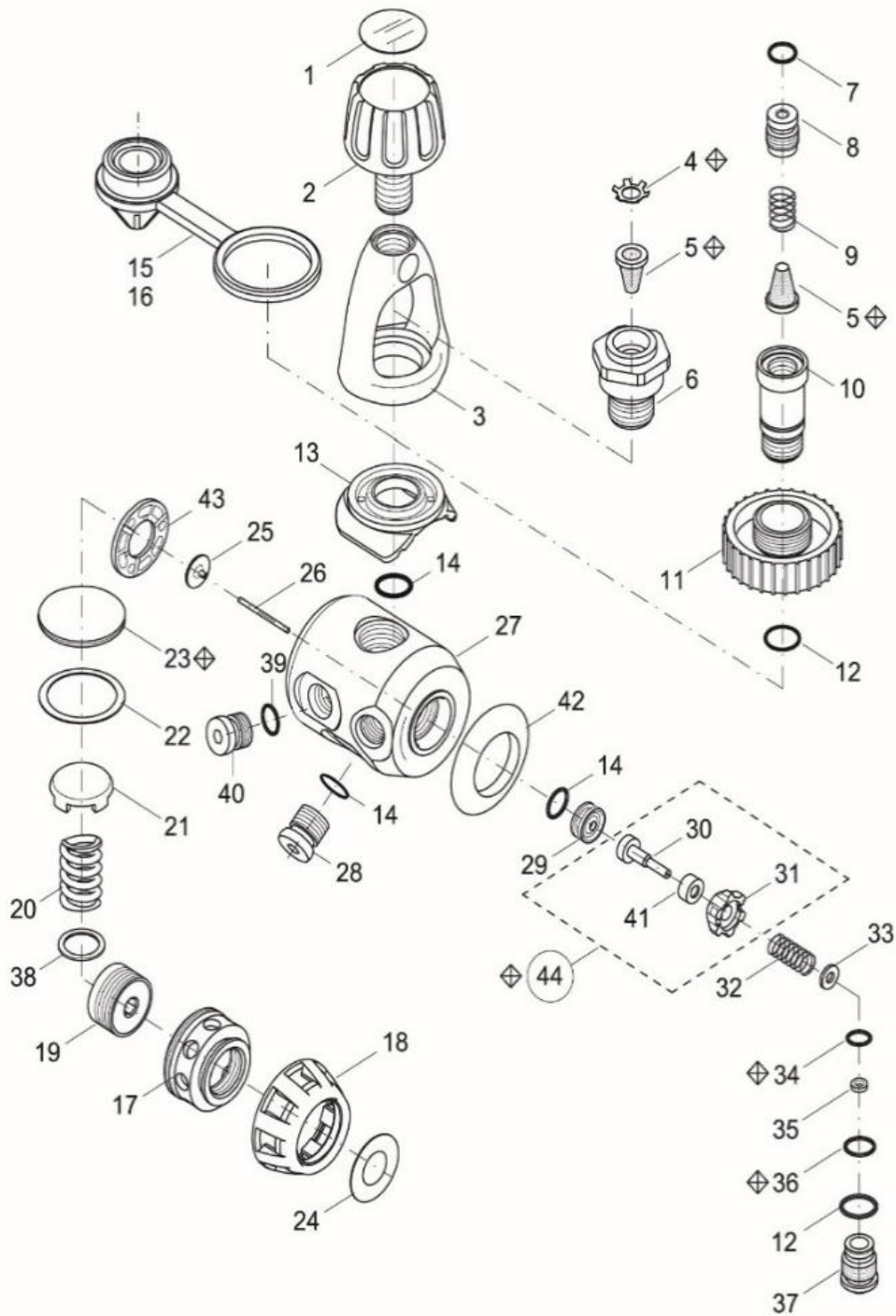


R1000



R1000

Model	Item No.	Description	Part No.
R1000	1	DECAL	R1000-010
R1000	2	YOKE SCREW	R-700-020
R1000	3	YOKE 9/16"	R-700-030
R1000	4	RETAINER	R-400-040
R1000	5	FILTER	R-400-050
R1000	6	YOKE RETAIN	R-400-060
R1000	7	O-RING	/111-PUR85
R1000	8	FILTER RET. 300bar	R-400-080
R1000	9	SPRING	R-400-090
R1000	10	KNOB RET. 300bar	R-400-100
R1000	11	KNOB. 300bar	R-400-110
R1000	12	O-RING	/014-EP85
R1000	13	SADDLE	R1000-020
R1000	14	O-RING	/011-NIR90
R1000	15	INLET PROTECT. INT	R-400-150
R1000	16	INLET PROTECT. DIN	R-400-160
R1000	17	DIAPHR. HOLDER	R1000-030
R1000	18	BUMPER	R1000-040
R1000	19	SPRING SCREW	R-400-190
R1000	20	SPRING T.I.S.	R-400-200
R1000	21	DIAPHR. DISC	R-400-210
R1000	22	DIAPHR. RING	R-400-220
R1000	23	DIAPHRAGM	R-400-230
R1000	24	DECAL	R1000-050
R1000	25	DISC. MET.	R-400-250
R1000	26	DIAPHR. PIN	R-400-260
R1000	27	BODY	R-700-130
R1000	28	PLUG H.P.	R-400-280
R1000	29	ORIFICE	R-700-140
R1000	30	H.P. VALVE	R-700-150
R1000	31	SLEEVE	R-700-160
R1000	32	SPRING	R-400-320
R1000	33	WASHER CENTRING	R-400-330
R1000	34	O-RING	R-700-170
R1000	35	RING	R-400-350
R1000	36	O-RING	/012-EP85
R1000	37	BAL. CHAMBER	R-700-180
R1000	38	WASHER	R-700-190
R1000	39	O-RING	/010-EP
R1000	40	PLUG L.P.	R-400-400

R1000

R1000	41	CUP	R-700-200
R1000	42	BUMPER	R-700-280
R1000	43	DISC	R-400-240
R1000	44	HP VALVE COMPL	R-700-220