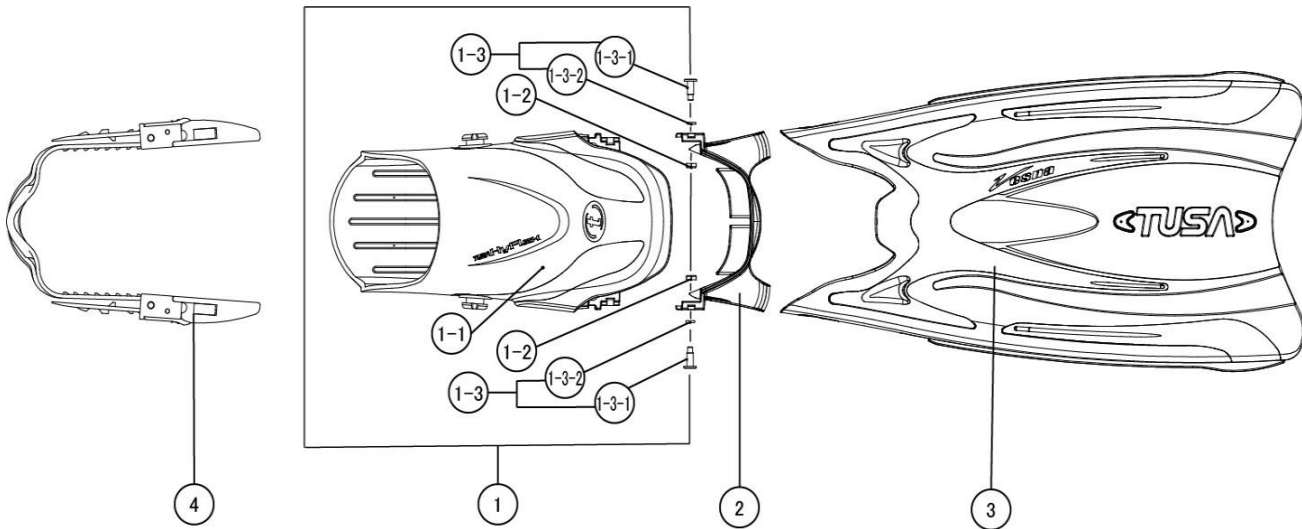


5.0 SCHEMATIC DIAGRAM Fins

5.2 Fins

SF0101 / 0116 / HyFlex Vesna



Model	Item No.	Description	Part No.
SF0101	1	FOOT POCKET ASSY XS	SFU-281
SF0101	1	FOOT POCKET ASSY S	SFU-282
SF0101	1	FOOT POCKET ASSY M	SFU-283
SF0101	1	FOOT POCKET ASSY L-XL	SFU-284
SF0101	2	STOPPER	SF-0101-050
SF0101	3	BLADE ASSY (XS)(S)	SF-0101-060
SF0101	3	BLADE ASSY (M)(L-XL)	SF-0101-110
SF0101	4	STRAP BUCKLE ASSY (M)(L-XL)	SFU-248
SF0101	4	STRAP BUCKLE ASSY (XS)(S)	SFU-249
SF0101	1-3-1	SCREW	SFU-283-050
SF0101	1-3-2	O-RING	S-5
SF0101	1-1	FOOT POCKET XS	SFU-281-010
SF0101	1-1	FOOT POCKET S	SFU-282-010
SF0101	1-1	FOOT POCKET M	SFU-283-010
SF0101	1-1	FOOT POCKET L-XL	SFU-284-010
SF0101	1-2	NUT	SFU-283-040
SF0101	1-3	SCREW ASSY	SFU-283-060