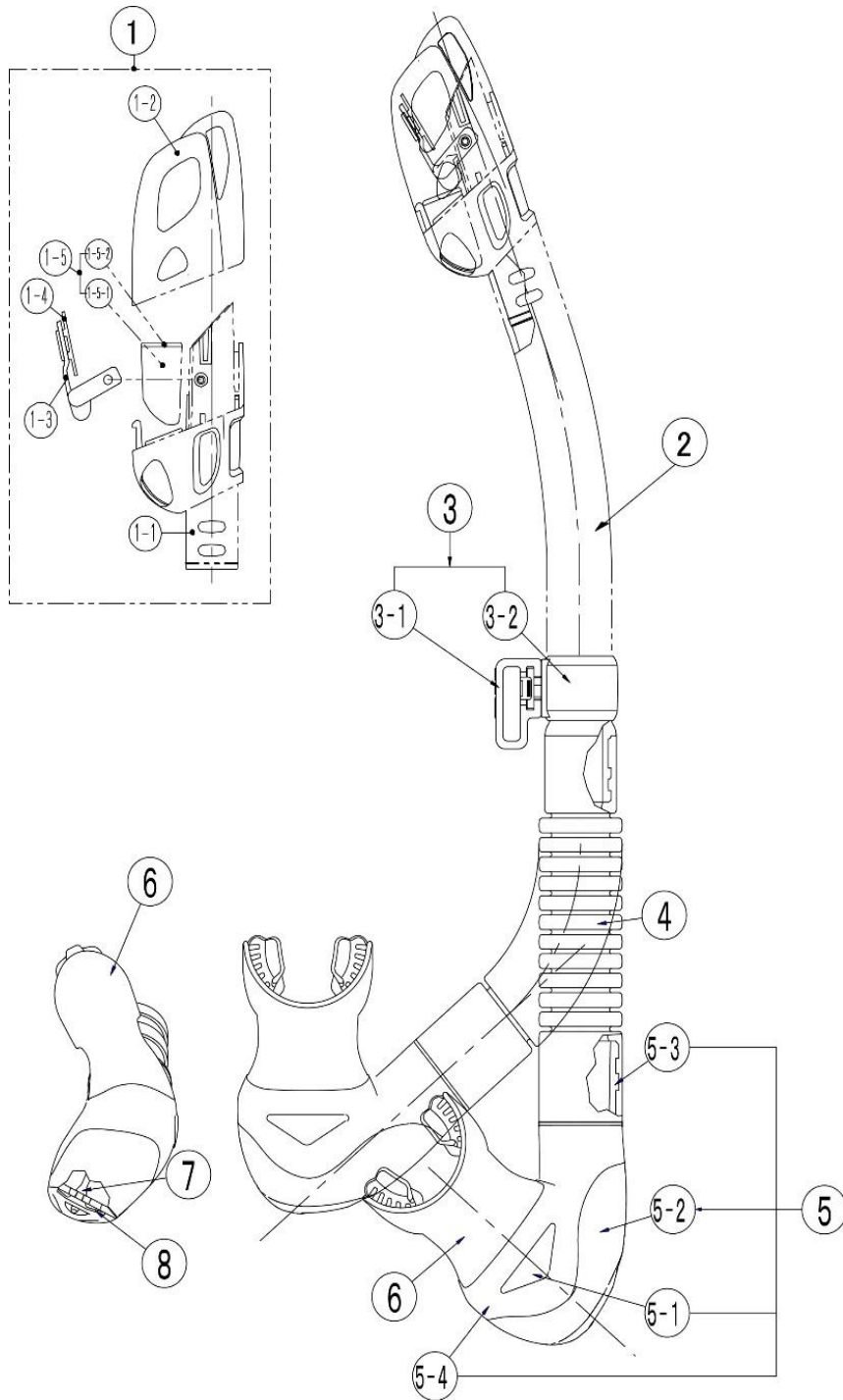


8.0 SCHEMATIC DIAGRAM Snorkels

8.1 SP-0

SP0101 / Hyperdry Elite II



SP0101 / Hyperdry Elite II

Model	Item No.	Description	Part No.
SP0101	1	DRY TOP ASSY	SP-220-010
SP0101	2	PIPE	SP-250-010
SP0101	3	SNORKEL ADAPTER ASSY	SPU-278
SP0101	4	FLEXIBLE JOINT	SP-580-01
SP0101	5	CHAMBER ASSY	SP-170-010
SP0101	6	MOUTHPIECE	SP-130-051-BK
SP0101	7	EXHAUST VALVE	TM-8000-06
SP0101	8	VALVE CAP	SP-170-060
SP0101	1-5-1	FLOAT	SP-220-060
SP0101	1-5-2	FLOAT CAP	SP-220-070
SP0101	1-1	BASE	SP-220-020
SP0101	1-2	COVER	SP-220-030
SP0101	1-3	VALVE RETAINER	SP-200-040
SP0101	1-4	VALVE	SP-200-120
SP0101	1-5	FLOAT ASSY	SP-220-050
SP0101	3-1	STRAP ATTACHMENT	SPU-117-010
SP0101	3-2	SWIVEL PIPE CLIP	SPU-278-010
SP0101	5-1	CHAMBER (UPPER SIDE)	SP-170-020
SP0101	5-2	CHAMBER (BOTTOM SIDE)	SP-170-030
SP0101	5-3	CHAMBER(JOINT)	SP-170-040
SP0101	5-4	CHAMBER	SP-170-050