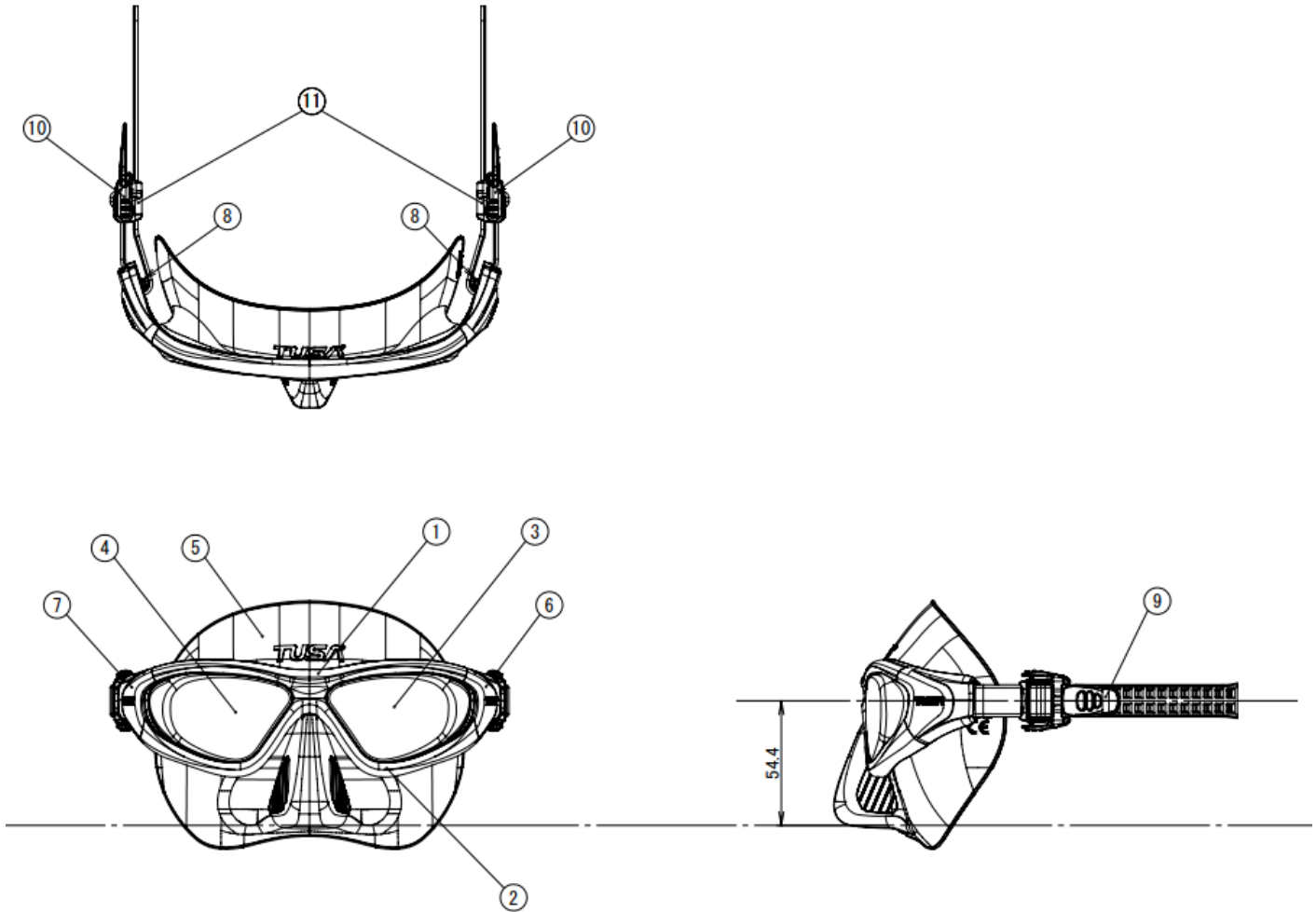


6.0 SCHEMATIC DIAGRAM Masks

6.13 FD series

UM2005 / Lapis, FD Series



Model	Item No.	Description	Part No.
UM2005	1	FRAME (UPPER)	V1000-011
UM2005	2	FRAME (LOWER)	V1000-021
UM2005	3	LENS (LEFT)	V1000-030
UM2005	4	LENS (RIGHT)	V1000-040
UM2005	5	SKIRT	UM2005-010
UM2005	6	COVER L	UM2005-020
UM2005	7	COVER R	UM2005-030
UM2005	8	ROLLING PIPE	UM2005-040
UM2005	9	STRAP	UM2005-050
UM2005	10	BUCKLE COVER	UM2005-060
UM2005	11	BUCKLE BASE	UM2005-070